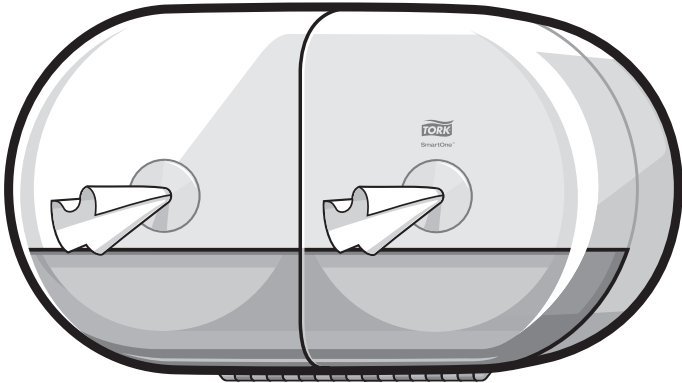


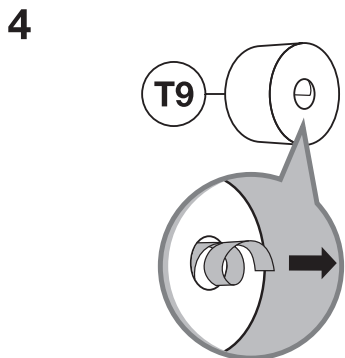
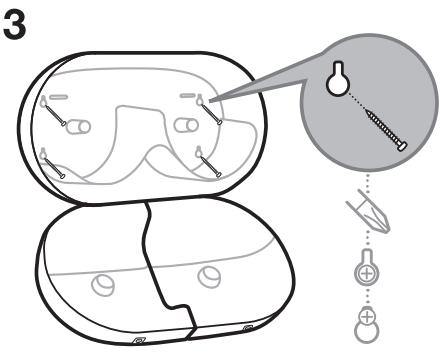
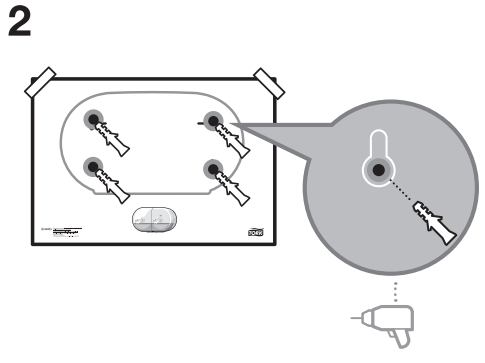
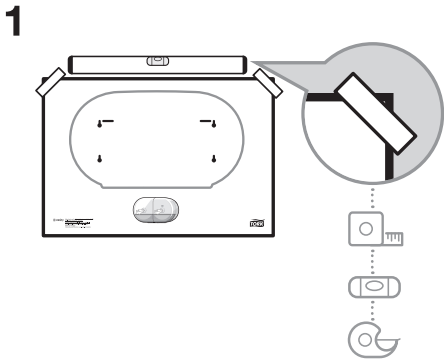
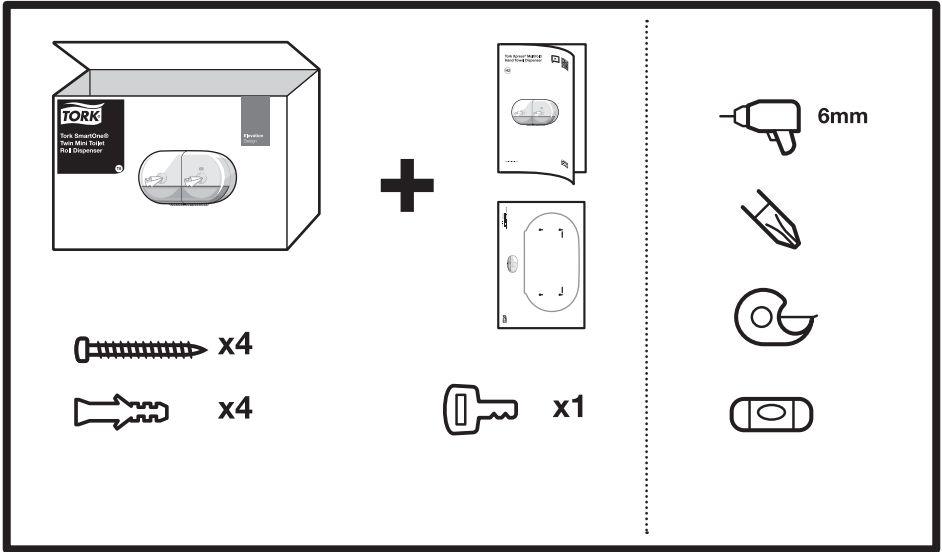
# Tork SmartOne® Twin Mini Toilet Roll Dispenser

Elevation  
Design

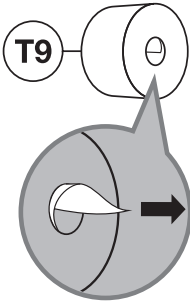
T9



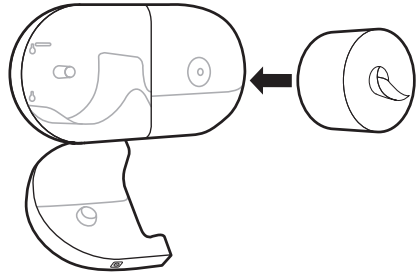
Tork SmartOne® Twin Mini Toilet Roll Dispenser



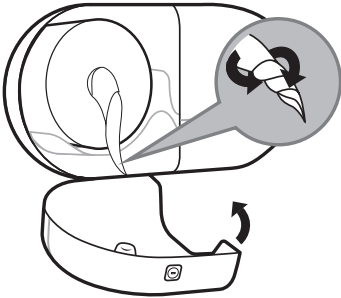
5



6

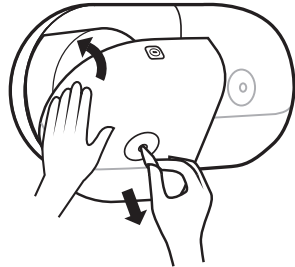


7

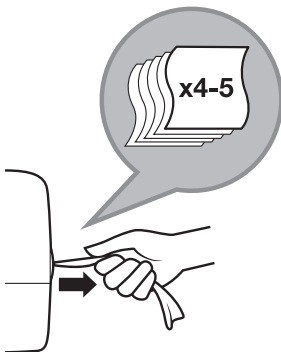


8

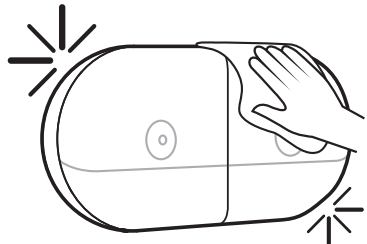
⚠ Pull tissue when closing

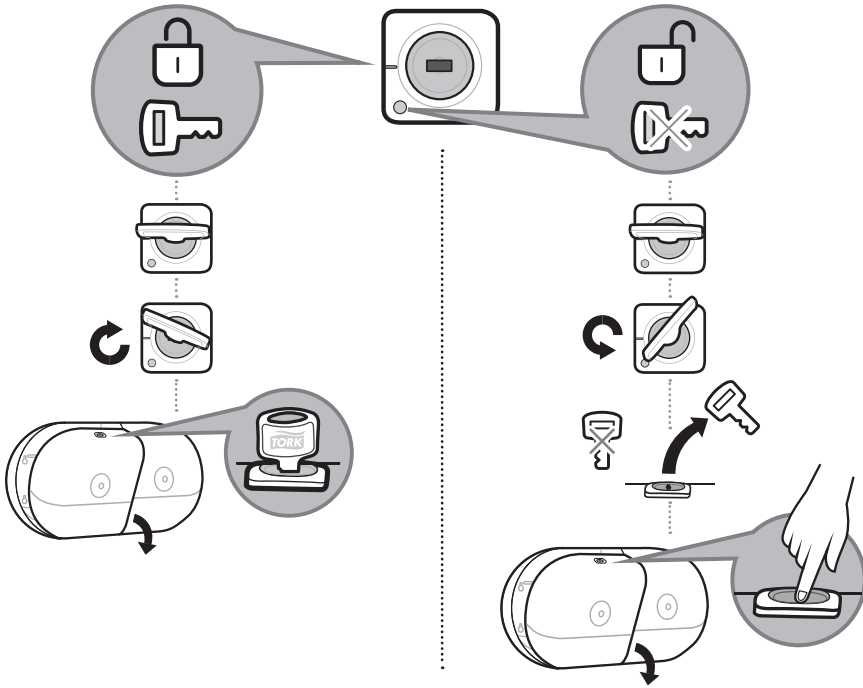


9



10





## Disposal

- Damaged or malfunctioning product should be disposed of immediately to avoid potential of injury
- Products should be disposed of in accordance with applicable regulations

## Cleaning instructions

- Clean dispenser with mild detergent and soft cloth



Manufactured by Essity Hygiene and Health AB  
 SE-40503 Göteborg, Sweden  
 Visiting address: Mölndals Bro 2, Mölndal  
[www.essity.com](http://www.essity.com), [www.torkglobal.com](http://www.torkglobal.com)  
 Made in Hungary  
 Patents/Brevets/Patentes: [www.essity.com/patents](http://www.essity.com/patents)